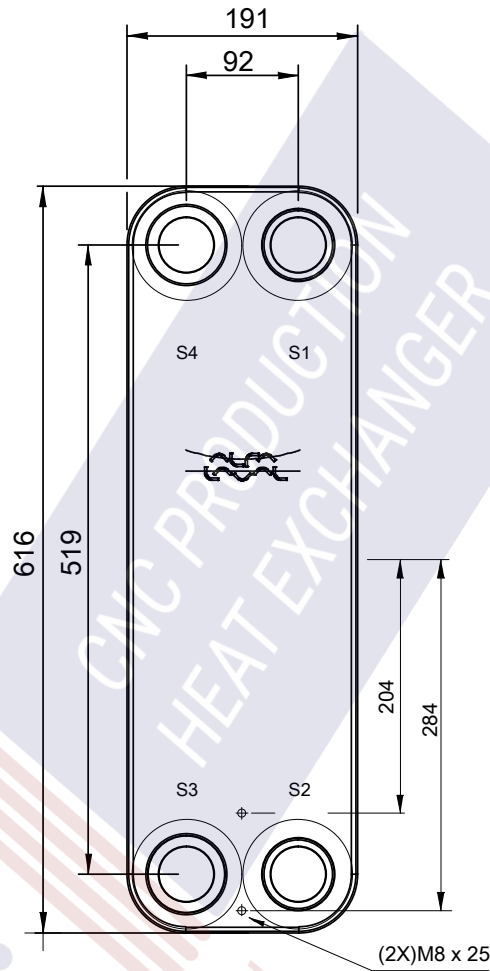
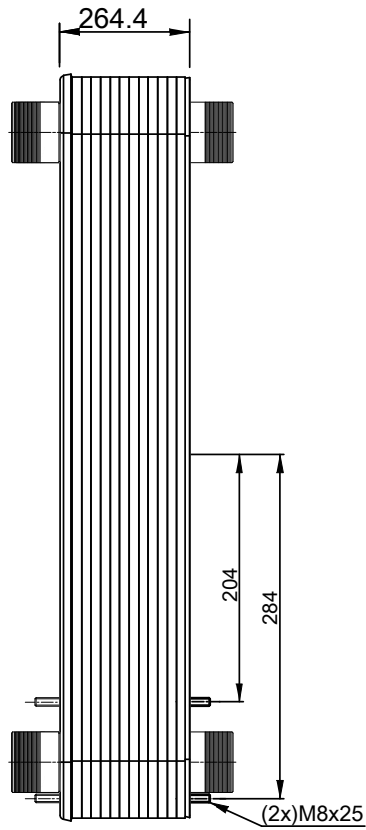
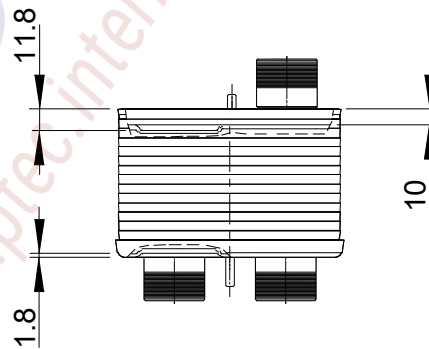
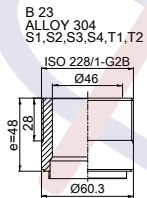


Note that all unique customer requirements (i.e tolerance) need to be verified thru Alfa Laval.



T1 T2 T3 T4 locations on back side correspond to S1 S2 S3 S4 on front side



HEATING SURFACE m<sup>2</sup>  
 NETWEIGHT 49.0 kg  
 OPERATING WEIGHT kg  
 PLATE MATERIAL ALLOY 316  
 PLATE GROUPING 1\*59ML/1\*60MH

ALL DIMENSIONS IN MILLIMETERS

| SIDE | MEDIA | INLET | TEMP. °C | OUTLET | TEMP. °C | FLOW RATE | PRESSURE DROP | LIQUID VOL.          |
|------|-------|-------|----------|--------|----------|-----------|---------------|----------------------|
| 1    | Water | S1    | °C       | S2     | °C       | kg/h      | kPa           | 10.8 dm <sup>3</sup> |
| 2    | Water | S3    | °C       | S4     | °C       | kg/h      | kPa           | 10.6 dm <sup>3</sup> |

PRESSURE VESSEL APPROVAL PED

CB112-120M-F (3287184177)

www.alfalaval.com

CUSTOMER NAME / REF. NO.

TOTAL LENGTH 350 mm  
 TOTAL WIDTH 191 mm  
 TOTAL HEIGHT 616 mm

COMPANY / REF.  
 Aptec production s.r.o.



7/8/2020  
 REV 0